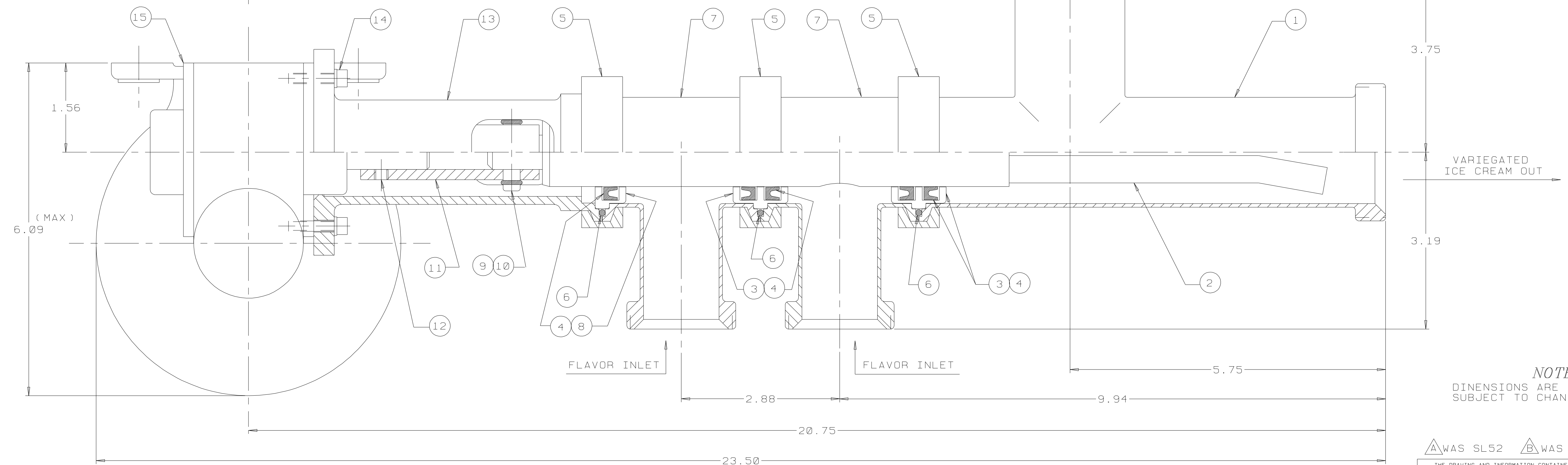


| ITEM | REQD | PART NO. | DESCRIPTION | REMARKS |
|------|------|------------|--------------------|----------------------------|
| 1 | 1 | B-2999-A | BODY | 2" WITH THREADED ENDS |
| 2 | 1 | C-2995-A | FLAVOR TUBE | CUSTOMER TO SPECIFY STYLE |
| 3 | 2 | B-2994-D | LOWER BUSHING | |
| 4 | 5 | A-3000-4 | SEAL | |
| 5 | 3 | K13HH-2" | CLAMP | TCI-SUPERIOR |
| 6 | 3 | A-3000-6 | "O" RING | -226 |
| 7 | 2 | B-2993-A | FLAVOR TEE | 2 x 1 1/2 WITH THRD. END |
| 8 | 1 | B-2989-D | UPPER BUSHING | |
| 9 | 1 | A-3000-9 | DRIVE PIN | |
| 10 | 2 | A-3000-10 | "O" RING | -010 |
| 11 | 1 | A-3000-11 | COUPLING | |
| 12 | 2 | A-3000-12 | SET SCREW | 1/4-20 x 1/4" LG. S.S. |
| 13 | 1 | B-2988-A | BONNET | |
| 14 | 4 | A-3000-14 | SCREW & LOCKWASHER | 10-32 x 7/8" LG. SHCS S.S. |
| 15 | 1 | 4116 | MOTOR (1/8 HP) | BODINE |
| 16 | 1 | MM21251C | SPEED CONTROL | MINARIK |
| 17 | 1 | B-2982-D | PILOT BUSHING | |
| 18 | 1 | 13H-1 1/2" | HEX NUT | TCI-SUPERIOR |
| 19 | 1 | 16A-1 1/2" | CAP | TCI-SUPERIOR |
| 20 | 1 | C1B | CABLE ASSEMBLY | |
| 21 | 1 | | CIRCUIT BOARD | FOR SL52 MINARIK |

\triangle *
 \triangle *
 +
 +
 +
 +
 NOT AVAILABLE
 NOT AVAILABLE

* THIS COMBINATION PROVIDES 0-200 RPM VARIABLE SPEED OUTPUT + OPTIONAL PARTS NEEDED FOR SINGLE FLAVOR OPERATION



NOTE
DIMENSIONS ARE APPROXIMATE AND SUBJECT TO CHANGE WITHOUT NOTICE

\triangle WAS SL52 \triangle WAS 586
 THE DRAWING AND INFORMATION CONTAINED ON THIS DOCUMENT IS CONFIDENTIAL AND THE SOLE PROPERTY OF HOLLAND MFG., INC. AND MAY NOT BE REPRODUCED, USED, OR DISCLOSED WITHOUT PRIOR WRITTEN PERMISSION OF AN AUTHORIZED AGENT OF HOLLAND MFG., INC.
HOLLAND MANUFACTURING, INC.
 6851-51 ST. KENOSHA, WIS

- NOTES:**
- VARIABLE TO BE DISASSEMBLED AND HAND CLEANED DO NOT CLEAN IN PLACE
 - MOTOR AND SPEED CONTROL TO BE PROTECTED DURING WASHDOWN
 - ALL PRODUCT CONTACT MATERIALS TO BE STAINLESS STEEL TYPE 304, BUNA OR DELRIN
 - ELECTRICAL REQUIREMENTS: 120VAC, 50/60HZ

TOLERANCES UNLESS OTHERWISE SPECIFIED
 0.000 ± .015
 0.000 ± .025
 0.000 ± .030
 ANGULAR ± 1 DEG

VersaCAD DWG
 VOLUME:
 FILE #: 03830A

SCALE: FULL
 DATE: 1-8-88
 BY: SW
 2" TWO FLAVOR ELECTRIC DRIVE
 VARIABLE SPEED VARIEGATOR
 MODEL ET2F-2"
 THREADED BEVEL SEAT PORTS

D-3830-A