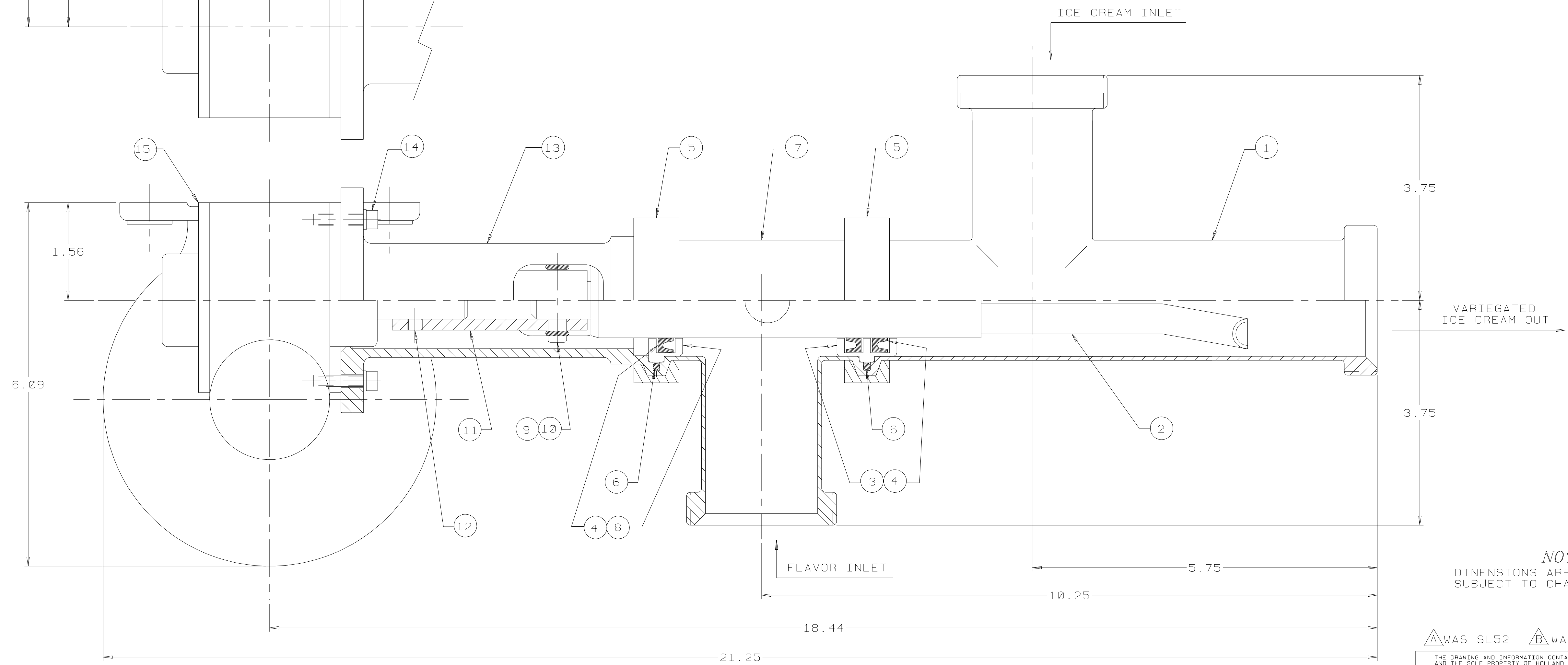


ITEM	REQD	PART NO.	DESCRIPTION	REMARKS
1	1	B-2999-A	BODY	2" WITH THREADED ENDS
2	1	C-2987-A	FLAVOR TUBE	CUSTOMER TO SPECIFY STYLE
3	1	B-2994-D	LOWER BUSHING	
4	3	A-3000-4	SEAL	
5	2	K13HH-2"	CLAMP	TCI-SUPERIOR
6	2	A-3000-6	"O" RING	-226
7	1	B-2991-A	FLAVOR TEE	2 x 2 WITH THREADED END
8	1	B-2989-D	UPPER BUSHING	
9	1	A-3000-9	DRIVE PIN	
10	2	A-3000-10	"O" RING	-010
11	1	A-3000-11	COUPLING	
12	2	A-3000-12	SET SCREW	1/4-20 x 1/4" LG. S.S.
13	1	B-2988-A	BONNET	
14	4	A-3000-14	SCREW & LOCKWASHER	10-32 x 7/8" LG. SHCS S.S.
15	1	586	MOTOR (1/8 HP)	BODINE
16	1	SL52	SPEED CONTROL	MINARIK
17	1		CIRCUIT BOARD	FOR SL52 MINARIK
18	1	C1B	CABLE ASSEMBLY	

△B\*  
△A\*

\* THIS COMBINATION PROVIDES 0-180 RPM VARIABLE SPEED OUTPUT



**NOTE**  
DIMENSIONS ARE APPROXIMATE AND SUBJECT TO CHANGE WITHOUT NOTICE

△A WAS SL52 △B WAS 586

- NOTES:**
- VARIEGATOR TO BE DISASSEMBLED AND HAND CLEANED DO NOT CLEAN IN PLACE
  - MOTOR AND SPEED CONTROL TO BE PROTECTED DURING WASHDOWN
  - ALL PRODUCT CONTACT MATERIALS TO BE STAINLESS STEEL TYPE 304, BUNA OR DELRIN
  - ELECTRICAL REQUIREMENTS: 120VAC, 50/60HZ

TOLERANCES UNLESS OTHERWISE SPECIFIED  
 0.0000 ± .015  
 0.0000 ± .005  
 0.0000 ± .0025  
 ANGULAR ± 1 DEG

THE DRAWING AND INFORMATION CONTAINED ON THIS DOCUMENT IS CONFIDENTIAL AND THE SOLE PROPERTY OF HOLLAND MFG., INC. AND MAY NOT BE REPRODUCED, USED, OR DISCLOSED WITHOUT PRIOR WRITTEN PERMISSION OF AN AUTHORIZED AGENT OF HOLLAND MFG., INC.

**HOLLAND MANUFACTURING, INC.**  
 6851-51 ST. KENOSHA, WIS

SCALE: FULL  
 DATE: 1-19-88  
 BY: SW

VersaCAD DWG  
 VOLUME:  
 FILE #: 03834A

2" SINGLE FLAVOR ELECTRIC DRIVE  
 VARIABLE SPEED VARIEGATOR  
 MODEL ET-2"  
 THREADED BEVEL SEAT PORTS

D-3834-A